

USER MANUAL

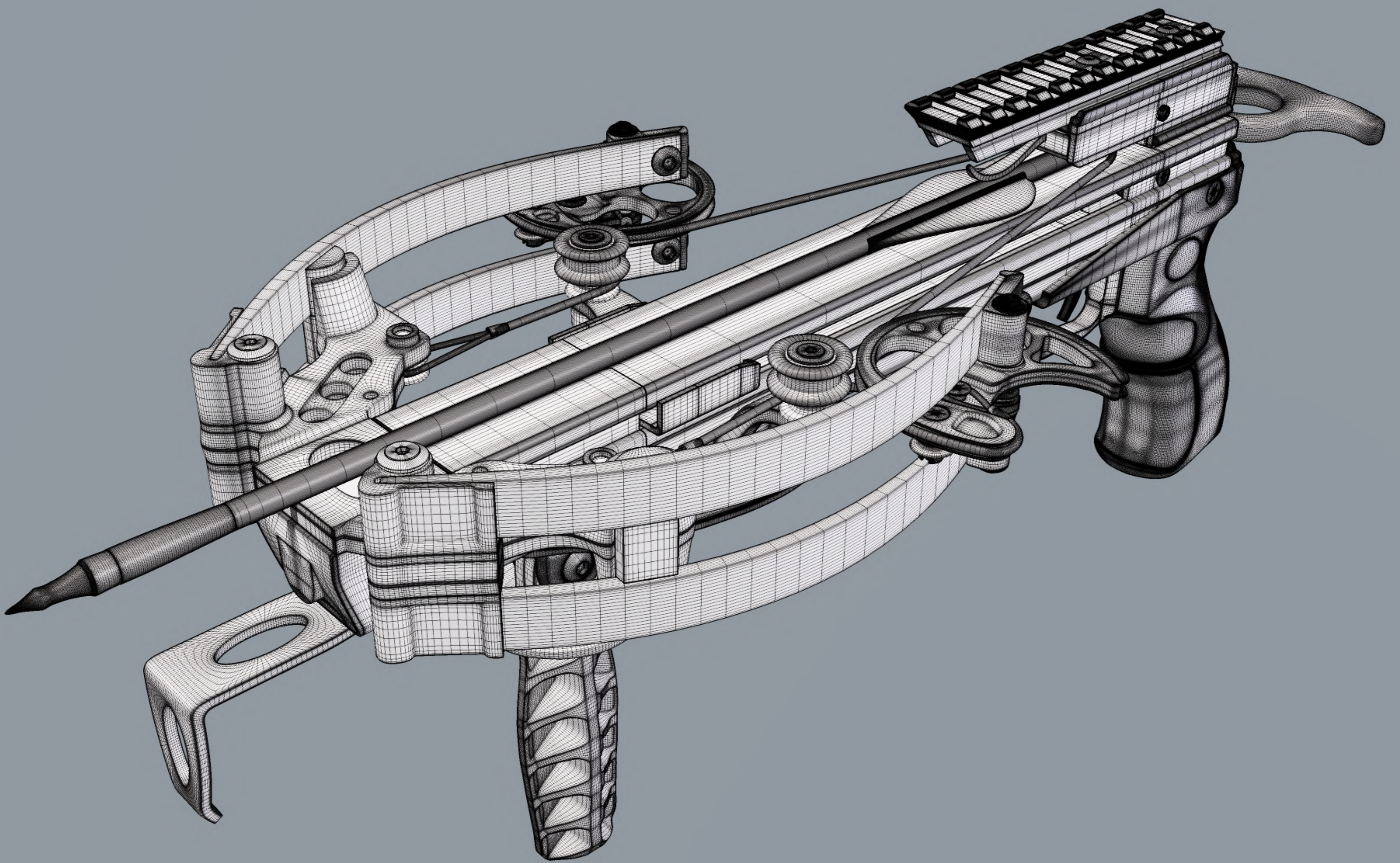
BAT

WORLD'S SMALLEST
COMPOUND CROSSBOW PISTOL



 **BALLISTA**

BALLISTA.CO



Crossbow Safety Rules

In some states, crossbows are considered firearms, and the same rules and regulations that apply to firearms also apply to crossbows. Always check local laws, and follow all safety rules.

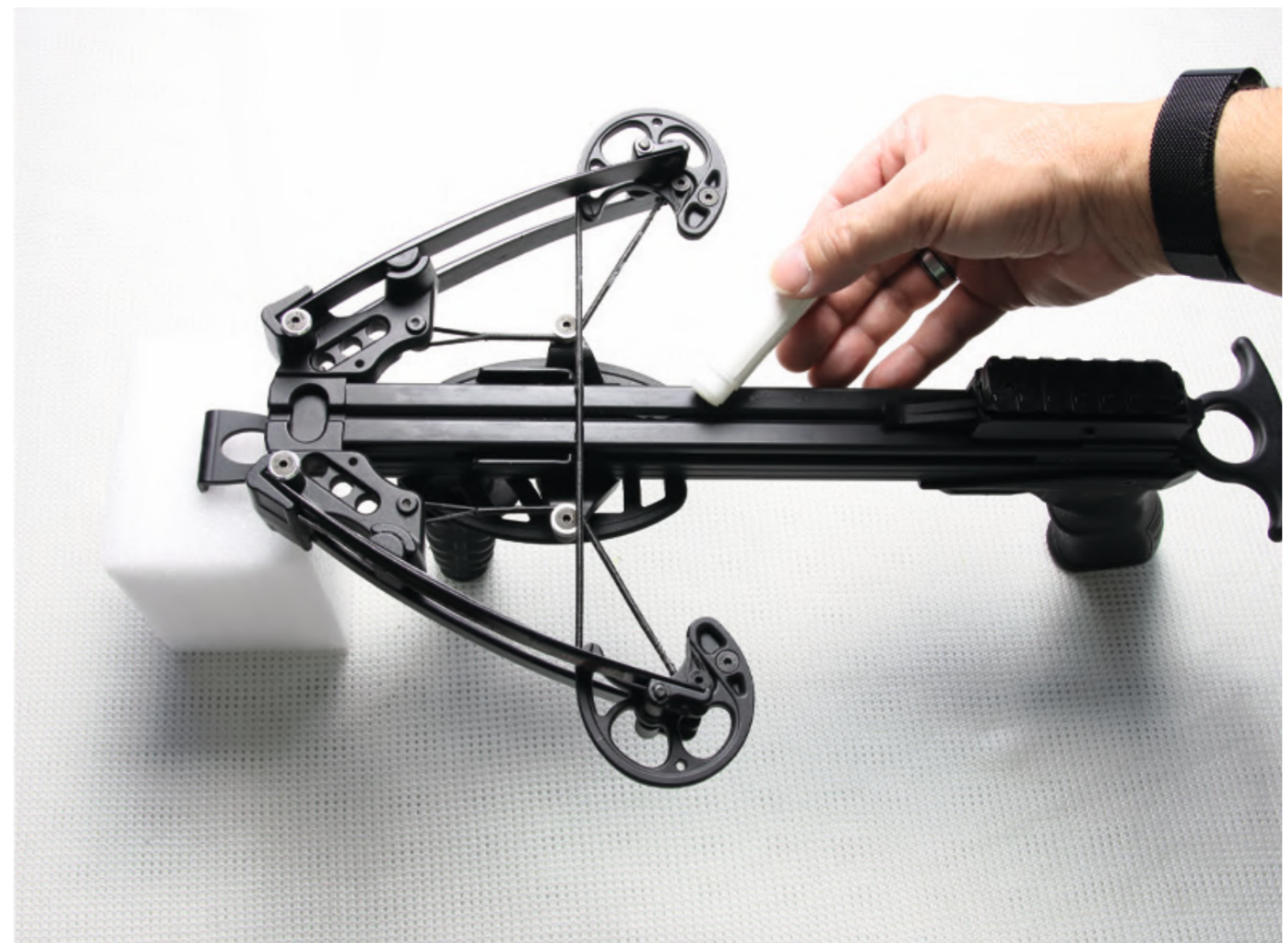
- Always point the crossbow and loaded arrow in a safe direction.
- Only load an arrow when it's safe to shoot.
- Keep your finger off the trigger until you are ready to shoot.
- Be sure of your target and what is in front of it, immediately behind it, and beyond it.
- Check the travel path of the crossbow limbs to make sure they will not strike tree limbs, blind windows, or other objects when you shoot.
- Never shoot over a ridge.
- Only shoot when you have a safe range or shooting area, and a safe backstop or background.
- Avoid dry-firing a crossbow (pulling the trigger without a loaded arrow). It may cause serious damage to the crossbow and can injure the shooter.
- Do not shoot an arrow straight up in the air.
- Handle arrows carefully. Protect yourself and the arrow points with a covered arrow quiver.
- Follow the instructions for stringing, cocking and decocking a crossbow.
- Do not use incompatible arrows, tools, and other accessories that are not suited for the crossbow.
- Immediately repair defects in equipment.
 - Prior to each use, check your crossbow for cracks, dents, breaks, separating laminates, peeling glass, and defects in mechanical parts.
 - Check the bowstring regularly, and replace it if it becomes worn or frayed. Frequent use of bowstring wax and the manufacturer's recommended rail lubrication can greatly extend the life of a bowstring.
 - Check arrows for cracks, dents, or bends; and discard any that have permanent flaws.
- Store your crossbow uncocked and in a case (or backpack).
- Store arrows in quivers and accessories in a sturdy box or padded bag.
- Wear safety glasses to protect your eyes while you are assembling, servicing, cocking, decocking, loading, or shooting a crossbow.
- Keep your emotions under control, and think about safety first.
- Do not drink alcohol or take mood-altering drugs before, during, or after shooting a crossbow.

Congratulations, You are the proud owner of a brand-new crossbow!

This manual is a guide for all crossbow owners and a first guide with safety and assembly instructions for crossbows. You should get acquainted with the ways of a crossbow, such as the procedure and handling of a crossbow, beforehand. Serious injury to yourself or others, damage to your crossbow or poor grouping can be avoided by reading this manual. If any part of this manual is unclear to you or if you have any further questions, please contact our service at info@ballista.co. Please keep this manual for future reference and also note that this is a general instruction manual.

Maintenance

Use the string wax on the exposed string strands to ensure that the string does not dry out and becomes brittle. Keep the rail and trigger assembly clear of obstructions. Inspect the rail and the nocks for metal or plastic burrs to prevent damage to the string damaged. Cams should be greased.



Additional advice

Always keep your crossbow in a safe and dry place. Do not expose your crossbow to extreme humidity or heat, such as inside a hot car or near heat sources. Check cables and/or string for signs of wear and tear. Apply light machine oil regularly to the moving parts of the cams for this compound crossbow.



Never shoot the crossbow without bolts (arrow)!
Make sure that the bolt is fully inserted, touching the string.

Warranty information

The rail, the trigger mechanism and the limbs have a manufacturer's warranty of 1 years (unless otherwise specified by the manufacturer). The warranty does not cover cosmetic signs of wear and tear, such as scratches, damage to the paint or similar. The warranty excludes: Strings and, if present, cables, damage caused by abuse, modification or failure to service, consequential damage, incidental damage or incidental expenses including damage to property or personal injuries.

DRY FIRES WILL VOID THE CROSSBOWS WARRANTY. We also do not accept any liability for damage caused by the use of wood and aluminum bolts.

Safety guidelines

This crossbow is equipped with an automatic safety lock that locks every time the crossbow is cocked. The lock must be disengaged prior to each shot. However, this does not guarantee complete safety, as no safety mechanism can replace common sense and safe handling. For this reason, the trigger device should not be operated in the secured state with a bolt inserted. Never attempt to modify the trigger.

Follow these rules at all times

Always keep your fingers below the rail, i.e., out of the way of the cables and the string when shooting the crossbow. NEVER shoot the crossbow without a bolt! Dry fire can damage the limbs, the string and/or the cables and cause personal injury. The crossbow warranty will also be voided. Never shoot the crossbow before you have a safe target. Always use a suitable target. Always use suitable bolts with the nocks recommended by the manufacturer. Do not use a bolt that is too soft or has an unsuitable weight. This can also damage the limbs, the string and/or cables, which will also void the warranty.

Bolts that are too light can have the same effect as dry fires. Check the crossbow and the bolt before each shot. Bent or damaged bolts cannot be shot safely. Likewise, the safety lock of the crossbow should be checked before shooting to prevent unintentional shots.



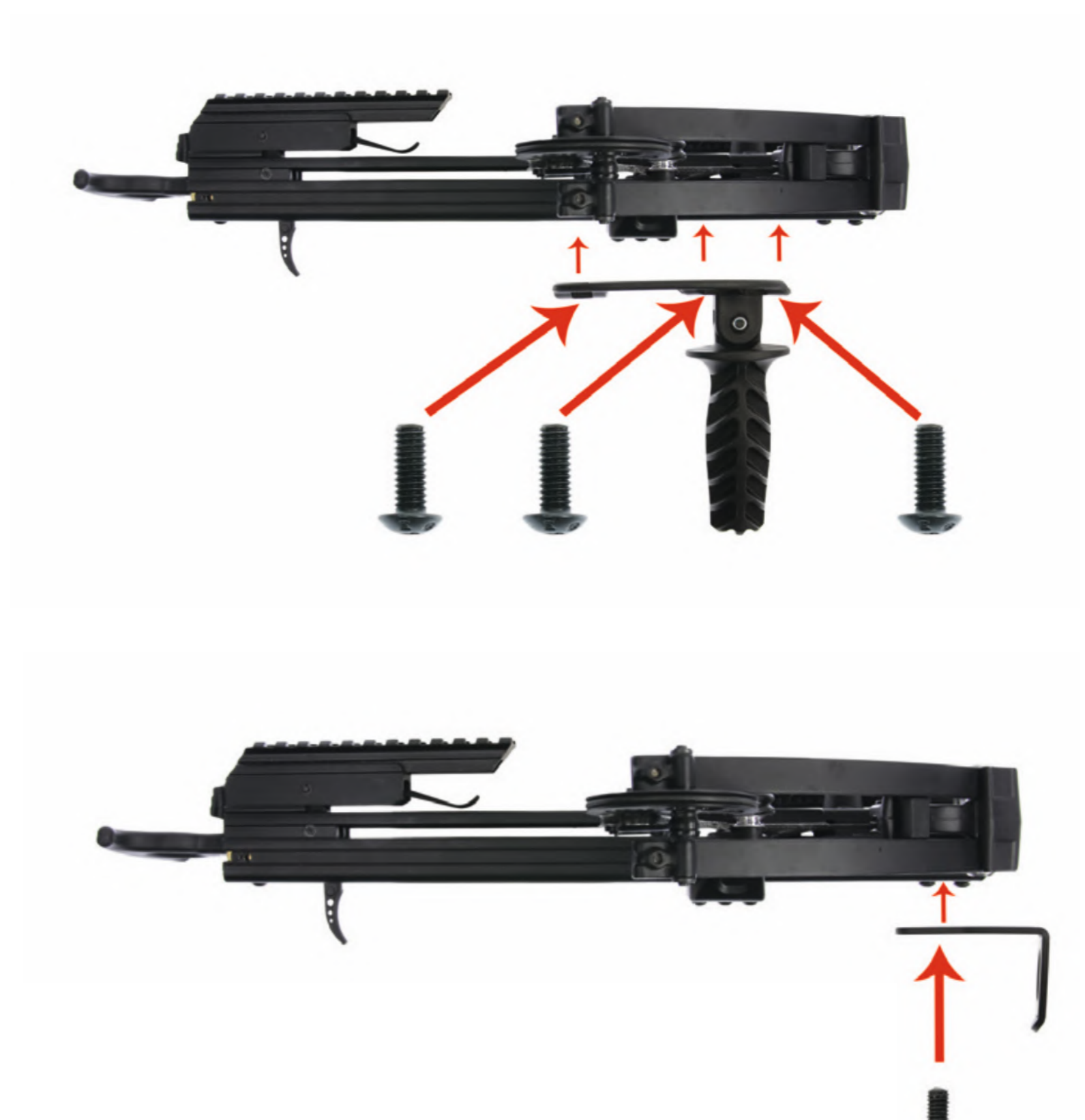
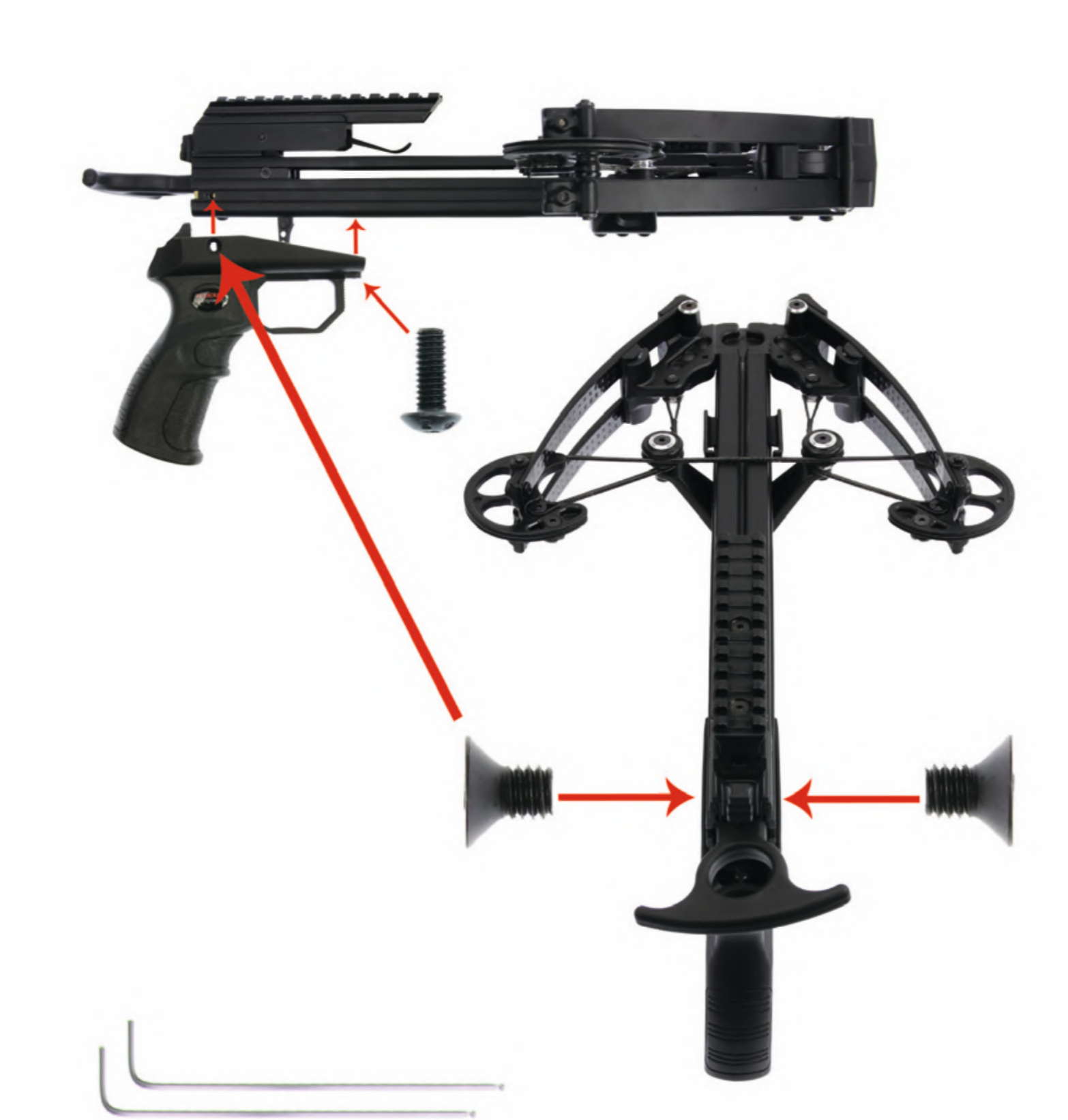
Mounting the individual parts

The grip

To attach the grip on the Bat, loosen the two flat head screws on the side and the round head screw below the trigger. Then the grip is placed on the Bat and the screws are tightened with an Allen wrench.

The front grip

To attach the front grip to the crossbow, loosen the three round-head screws below the rail. Then, the handle is placed on the Bat and the screws are tightened with an Allen wrench.



The optional fish roll holder

When attaching the fish roll holder, it is important to make sure that only the middle one of the three screws is loosened in order to tighten the fish roll holder. The two outer screws hold the bow unit in place and to avoid injuries, they must not be unscrewed.

The pistol crossbow's safety mechanism

When cocking the pistol crossbow, the string is automatically secured in the cocked state. The secured pistol crossbow can be recognized by the lock pin, which is located at the rear end of the rail above the cocking aid, it will be peeking out (see illustration left and center). To unlock the pistol crossbow, push in the safety pin. The pistol crossbow is now unlocked and ready for firing (see illustration on the right).



Cocking the crossbow

When cocking the pistol crossbow, one hand should hold the grip with the trigger, while the other hand pulls the cocking aid rope back in a straight line until the string clicks into the trigger. When pulling, the index finger should grasp the string holder on the left, the middle finger into the loop and the ring finger on the right to prevent it from slipping. For left-handed users, of course, the position of the fingers is reversed.



De-cocking the crossbow

When decocking the pistol crossbow, one hand should again hold the grip with the trigger mechanism, while the other hand is used to pull the cocking rope straight back until it touches the string (see illustration on the left). Hold the cocking aid rope tightly at the rear during the entire process. Now unlock the crossbow (see illustration in the middle) and as soon as you pull the trigger, the rope cocking aid is under tension due to the force of the string (see illustration on the right). Now slowly guide the cocking rope forward with the cocking rope holder and thus release the tension on the pistol crossbow.



Inserting the bolt

When inserting the bolt, you should make sure that your hand does not reach into the area of the string. If the crossbow fires unexpectedly, e.g., by not following the safety guidelines, this will lead to injuries to your hand. Therefore, when inserting the bolt, always make sure that you insert it with your hand outside the string area. When inserting the bolt, make sure that the nock of the bolt contacts the cocked string directly. A shot with a bolt that is not inserted fully can be equivalent to a dry fire and can cause crossbow damage.



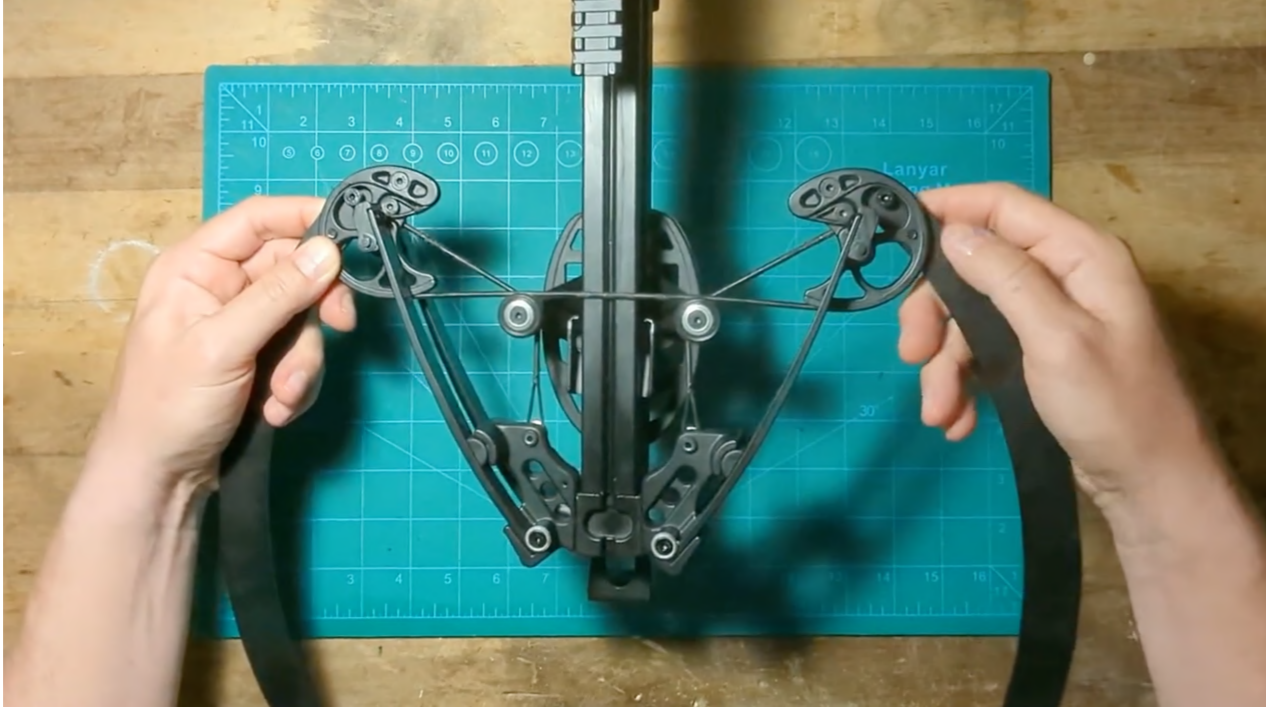
Shooting

Point the crossbow in a safe direction. Check if the bolt is positioned correctly and contacts the string. If not, push the bolt back all the way into the trigger mechanism. Make sure that your fingers are below the rail during the shooting process. This will prevent you from injuring yourself while the string rushes forward. Disengage the crossbow's safety lock by pushing in the safety pin. The crossbow will now release when the trigger is operated. A bolt **MUST** be inserted.

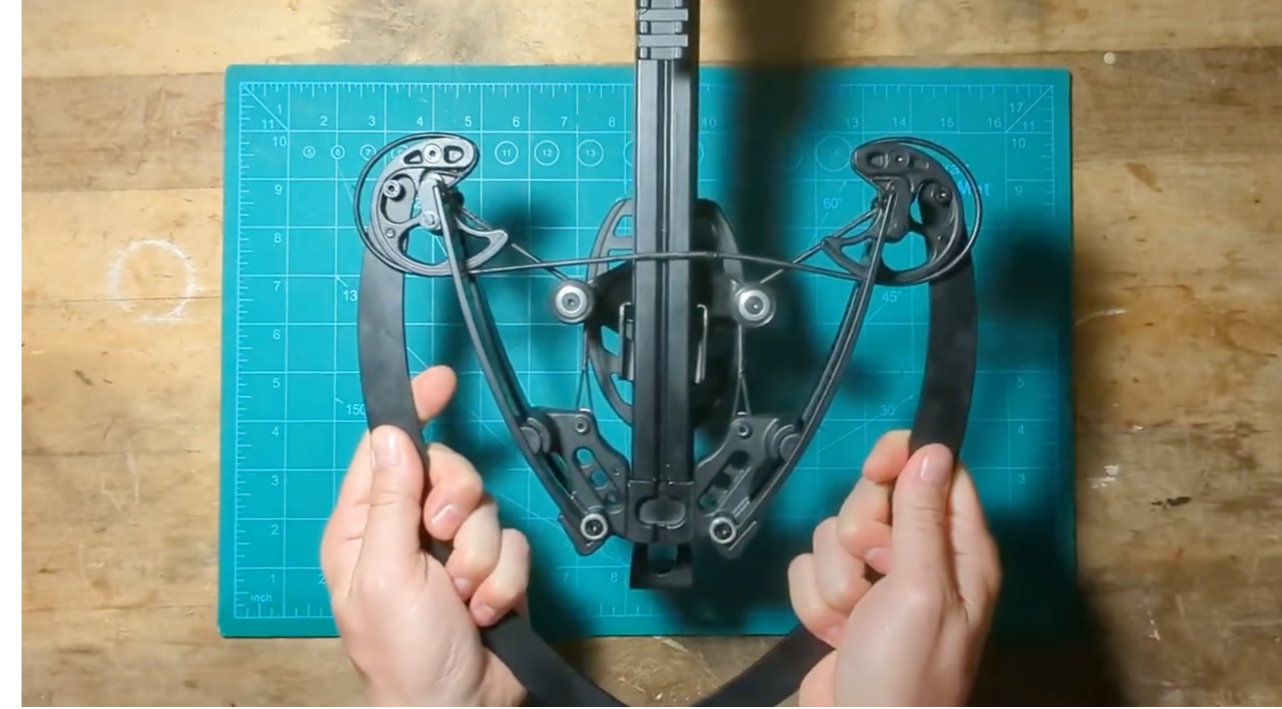
Replacing the String

If you only need to replace the string, follow the instructions below.

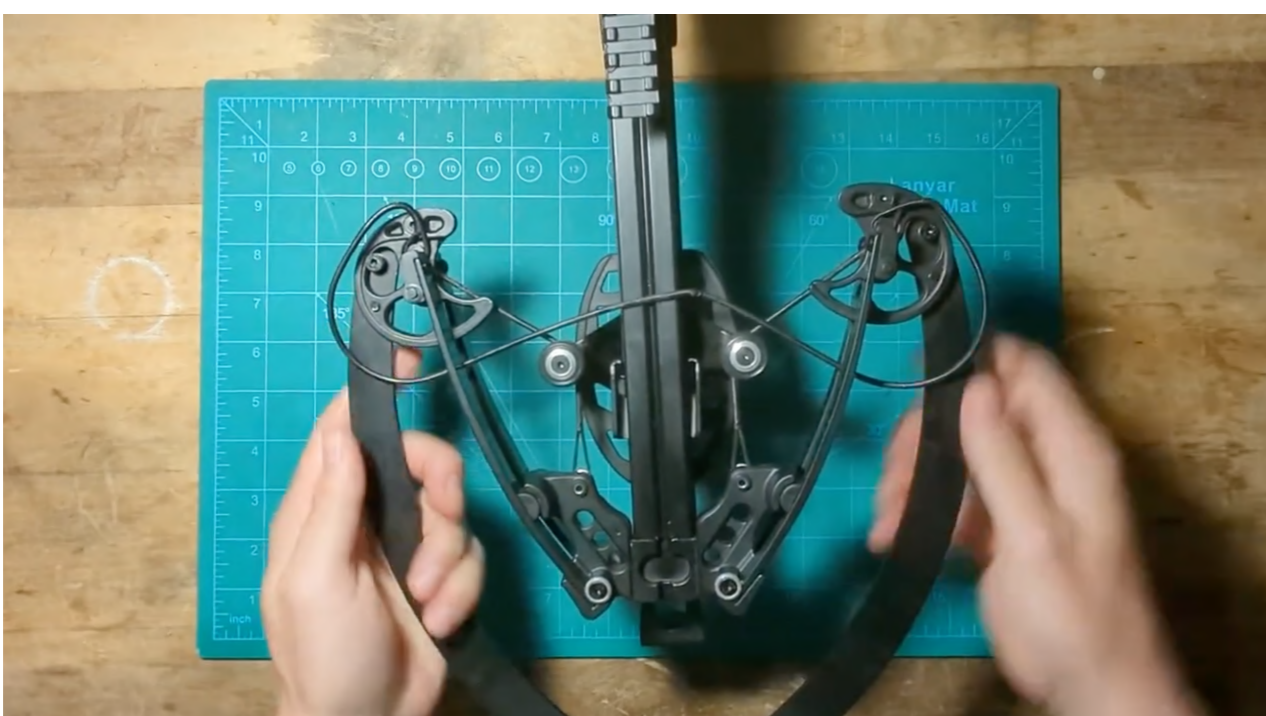
1. Attach the press under the cams as shown below.



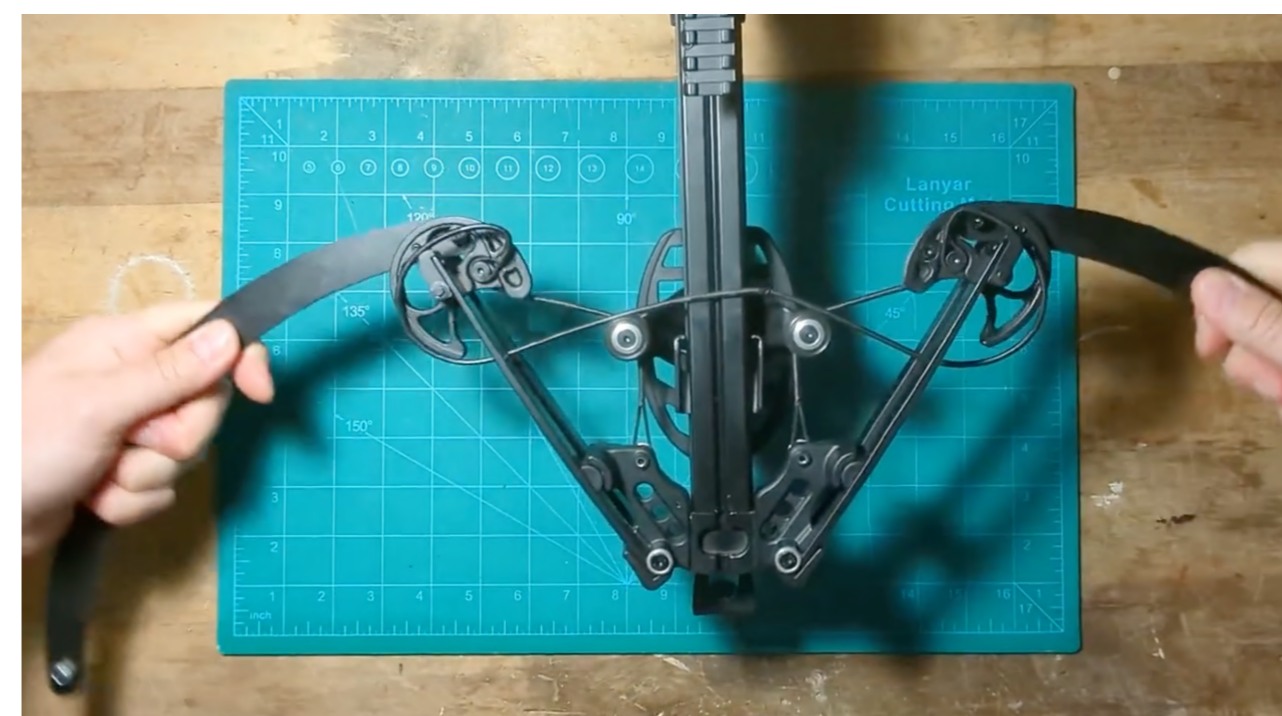
2. Bring the press bars together, and fasten them.



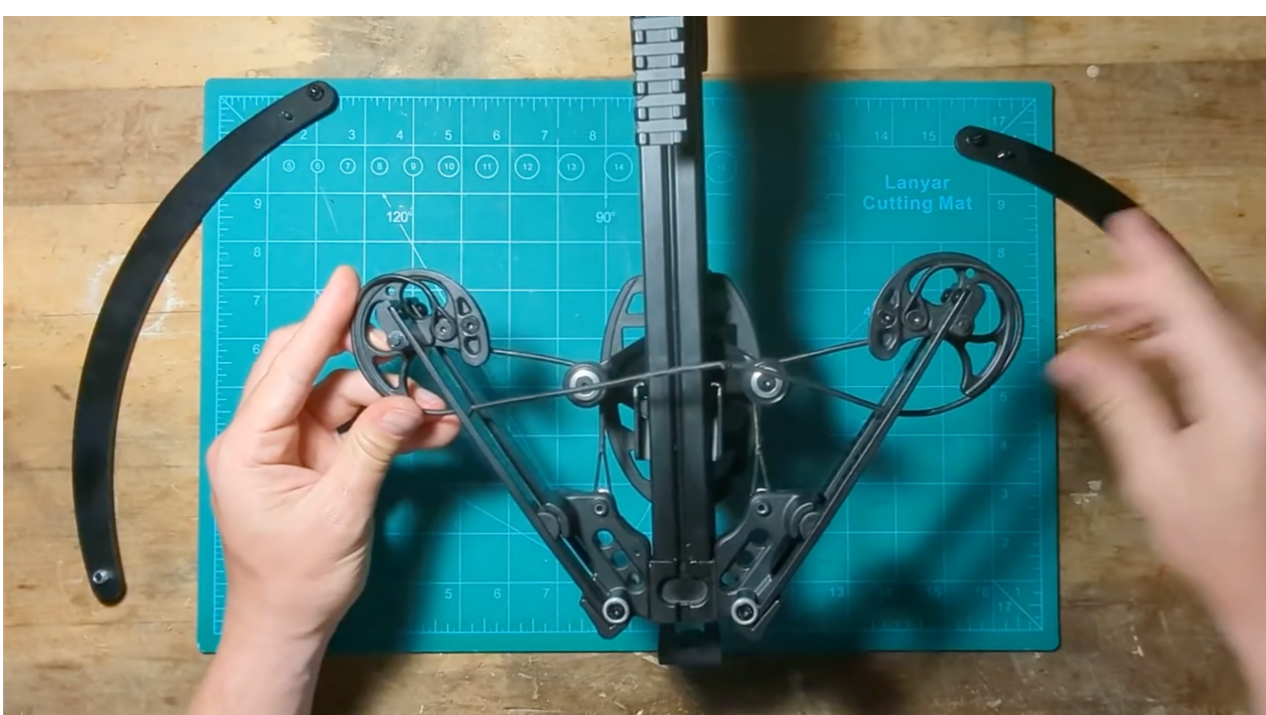
3. Release the string as shown below.



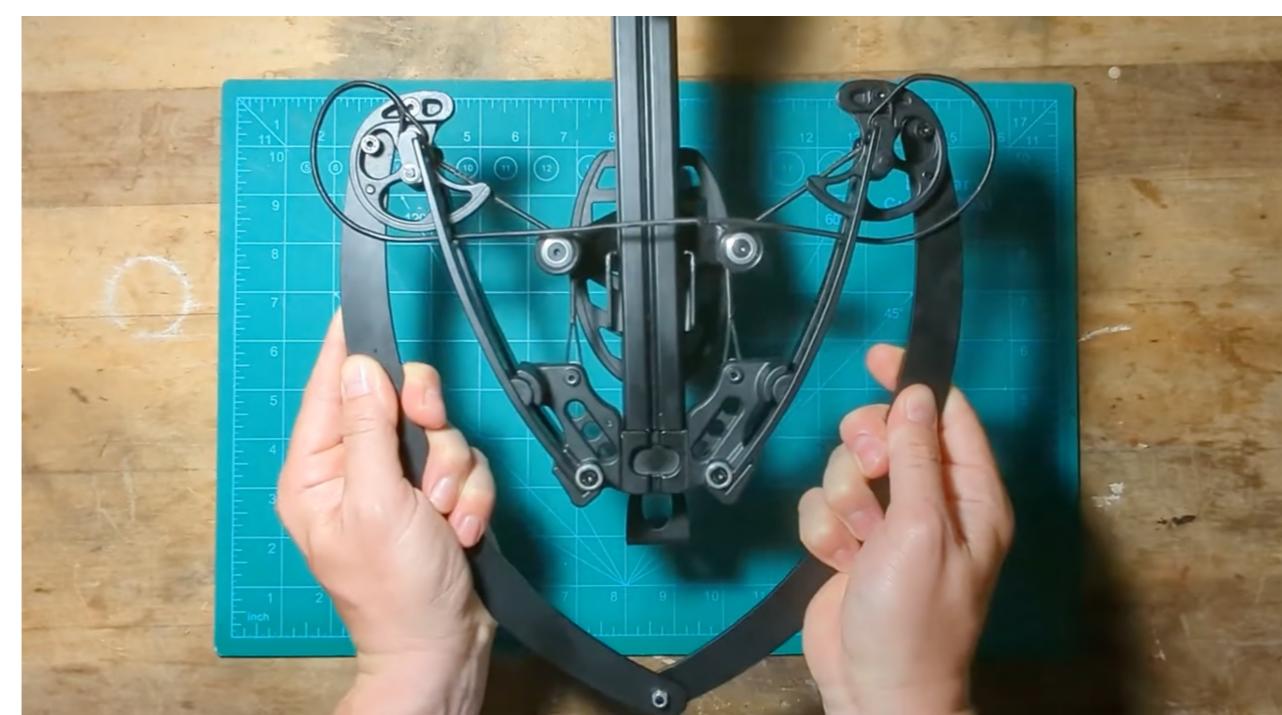
4. Open the press bars. Now you can easily take off and replace the string.



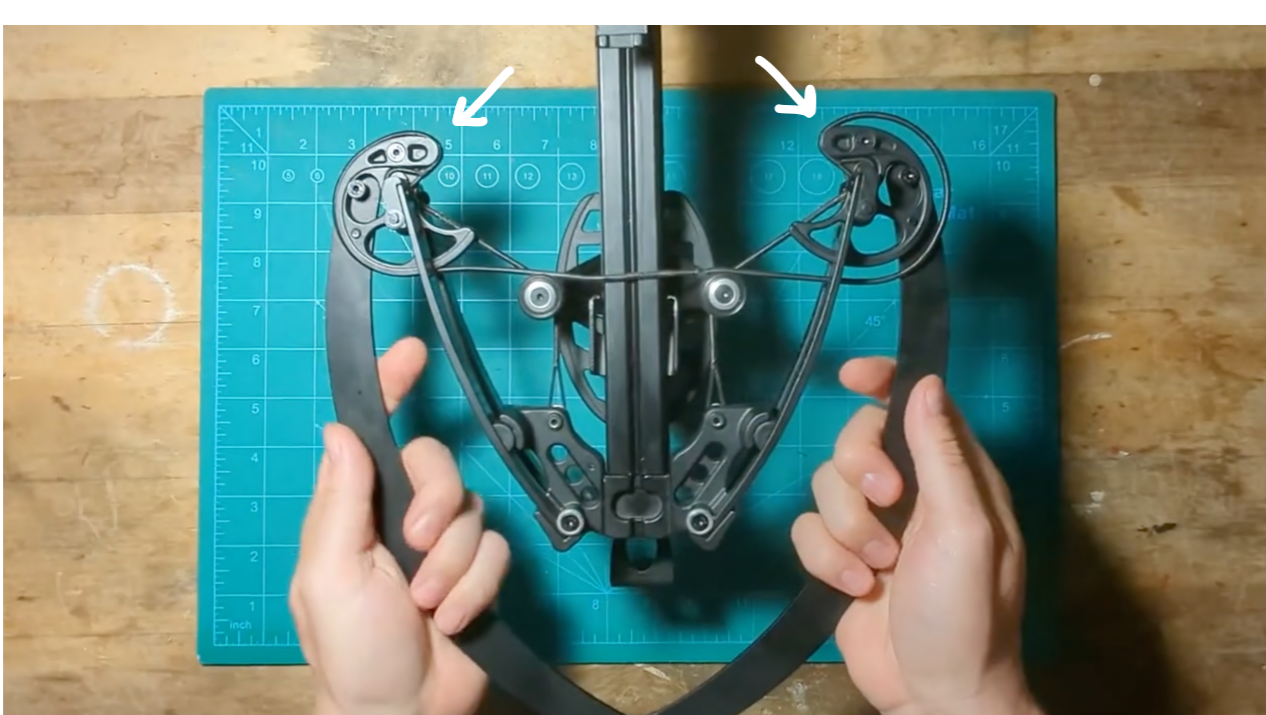
5. Take a new string and position it as shown below.



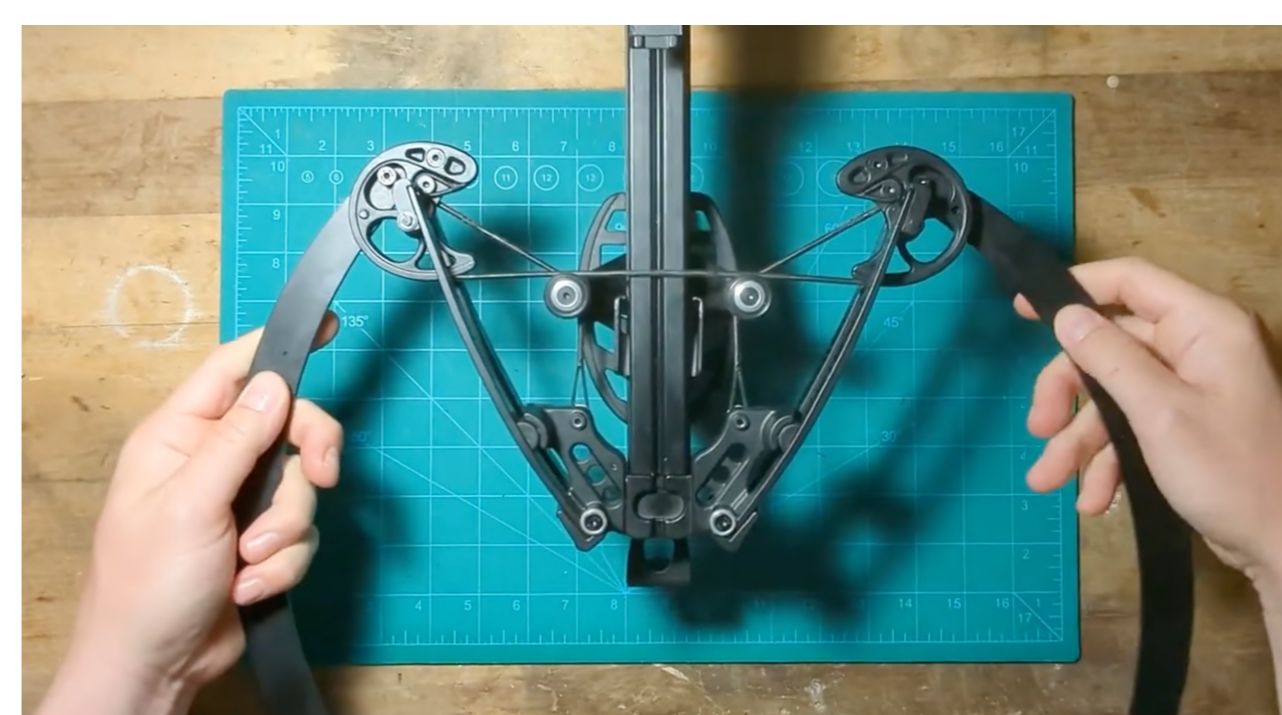
6. Insert the press bars in the cam openings and fasten them.



7. Insert the string along the grooves in the cams.



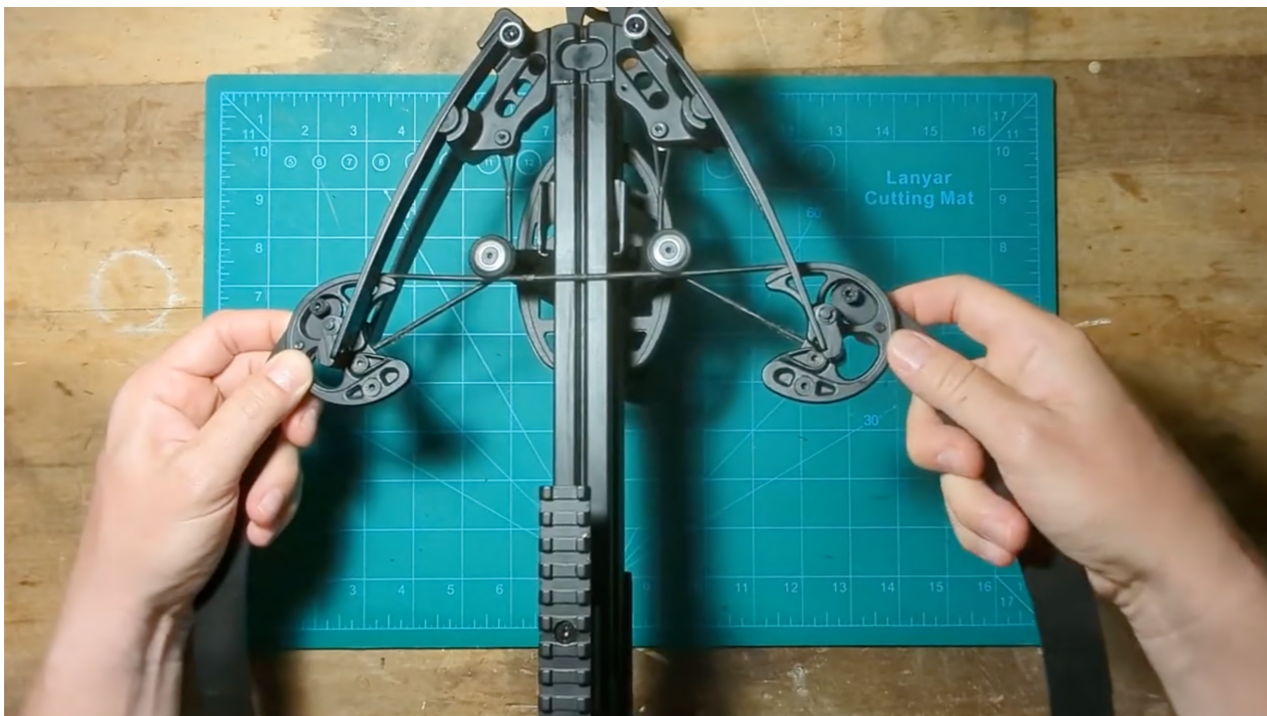
7. Unclench the press bars. The crossbow is ready to use.



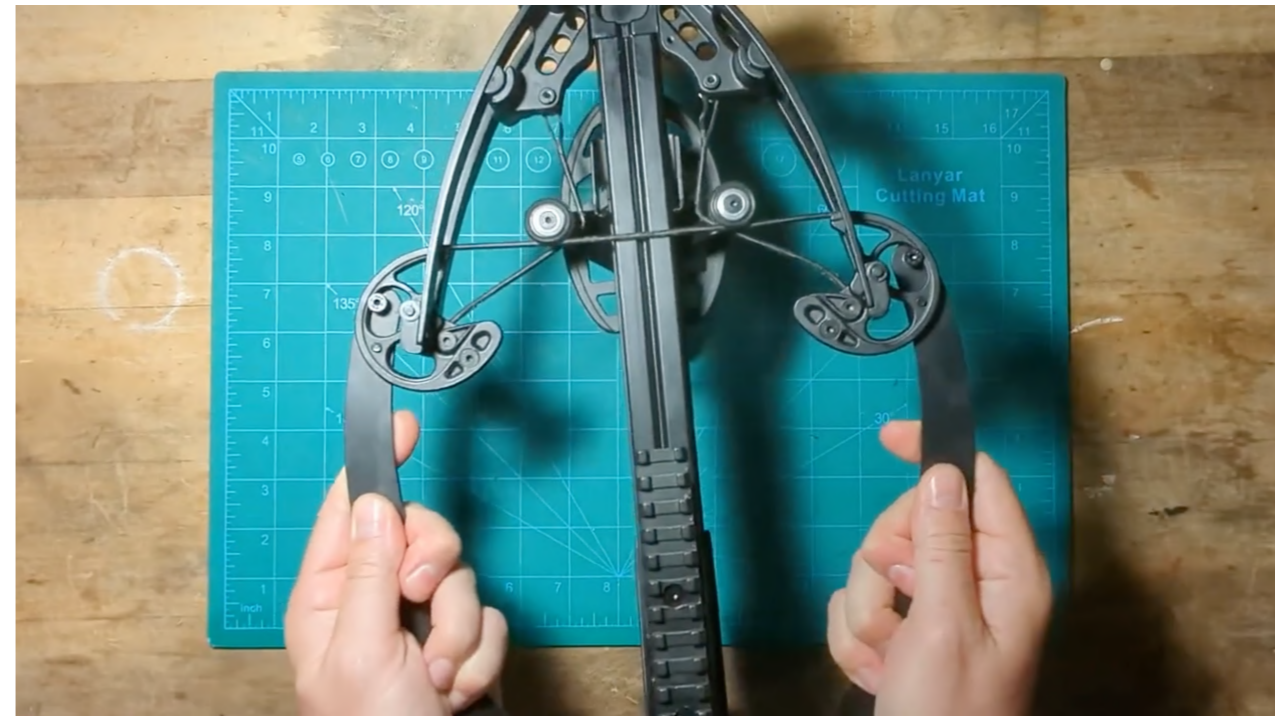
Replacing the Cables

If you only need to replace the cables, then follow the instructions below.

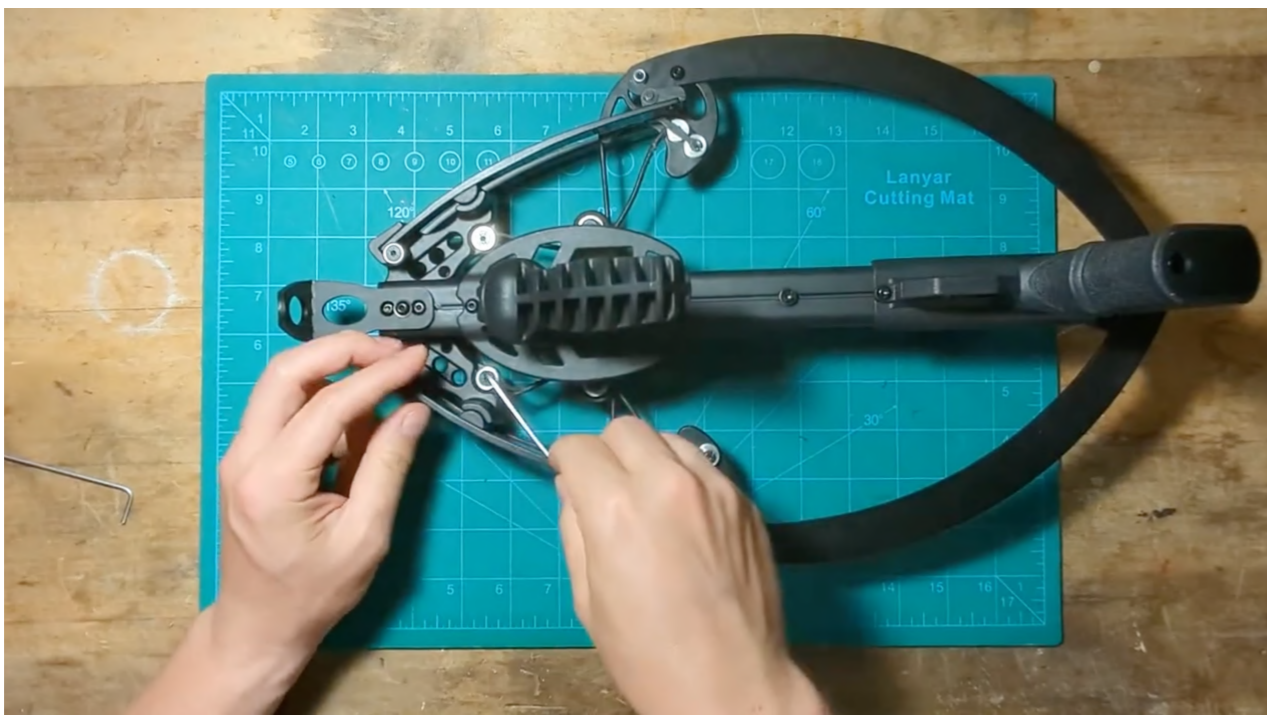
1. Attach the press as shown below.



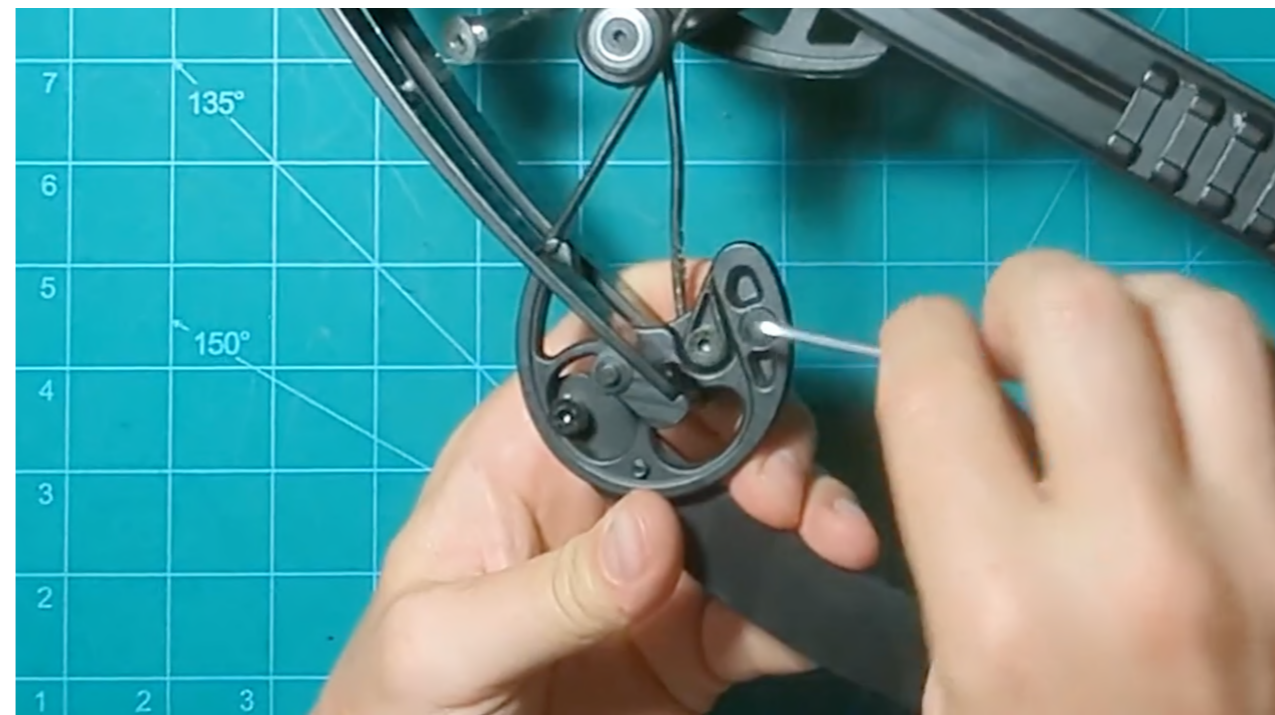
2. Bring the press bars together, and fasten them.



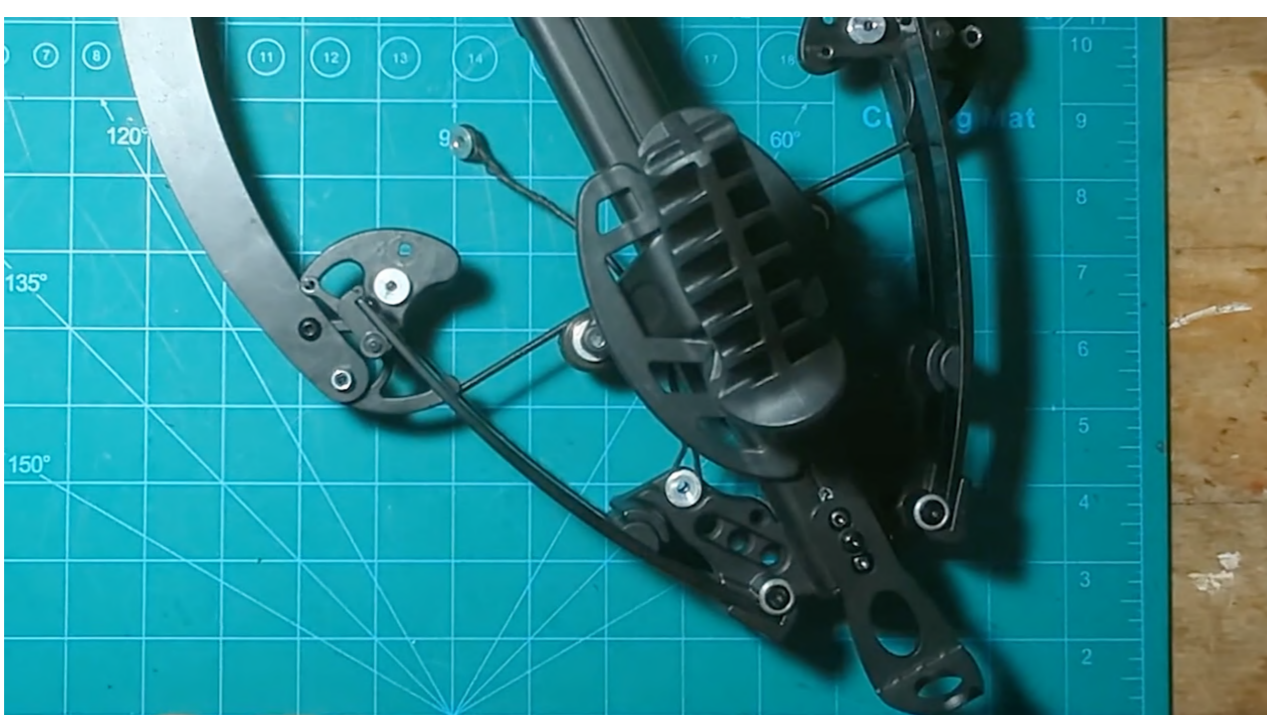
3. Turn the crossbow over. Unscrew the bolts that secure the cables to the crossbow body.



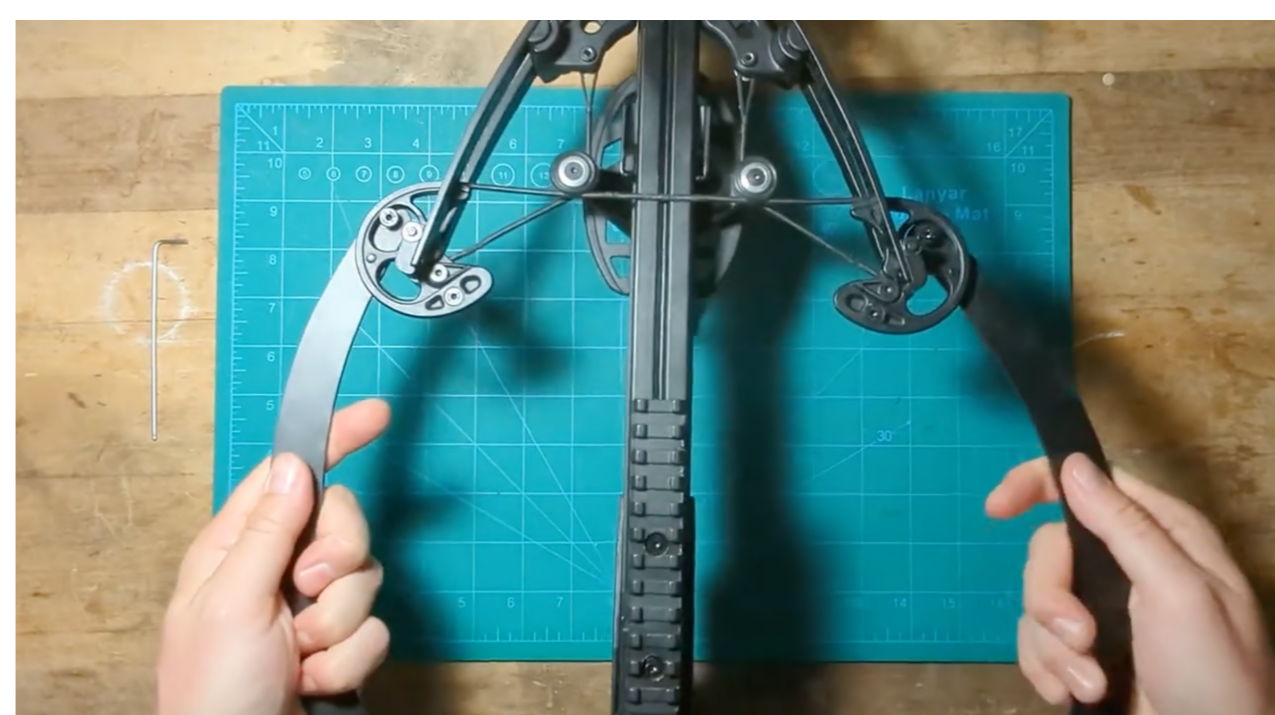
4. Unscrew the bolts that secure the cables to the cams.



5. After replacing the cables for new ones, attach them to the crossbow body and cams.



6. Unclench the press bars. The crossbow is ready to use.



Replacing both String and Cables

If the crossbow requires replacement of both the string and cables, then first replace the string, and then the cables.

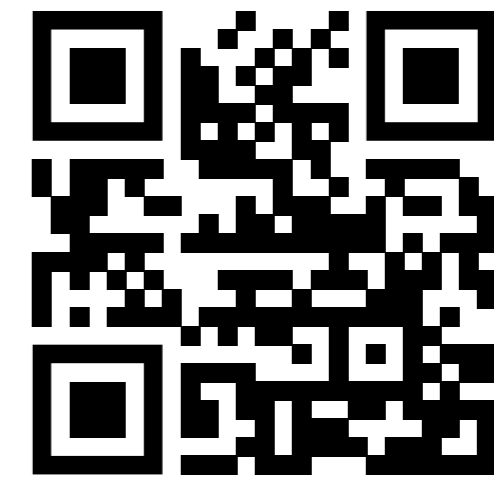
 **Activate your warranty**

To activate your warranty, scan the QR Code on the right and register your product.



 **Get more from the Ballista Club**

When you sign-up for the Ballista Club Newsletter, you get notifications about new product launches, giveaway notifications, and tips and tricks for crossbow owners.

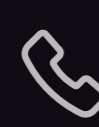


 **Explore video tutorials**

Check out these helpful video tutorials and demonstrations and learn how to use the crossbow for fun, hunting, bowfishing, and more.





 888-625-0535

 info@ballista.co

 ballista.co